



Scale: 1 inch= 30 Ft.

The Lighting Analysis, Energy Analysis and/or Visual Simulation ("Lighting Design") provided by RAB Lighting Inc. ("RAB") represents an anticipated prediction of lighting system performance based upon design parameters and information supplied by others. These design parameters and information have not been field verified by RAB and therefore actual measured results may vary from the actual field conditions. RAB neither warrants, either implied or stated with regard to actual measured light levels or energy consumption levels as compared to those illustrated by the Lighting Design. RAB neither warrants, either implied or stated, nor represents the appropriateness, completeness or suitability of the Lighting Design as compliant with any applicable regulatory code requirements, including but not limited to, applicable regulatory code requirements, submitted by RAB. The Lighting Design is issued in whole or in part, as advisory documents for informational purposes and is not intended for construction nor as being part of a project's construction documentation package.

Scale: as noted	PROJECT #: 64458
Date: 12/1/2017	CASE #: 00142505
Job Name: #40 Sam Fonzo Drive Beverly, MA Lighting Layout Version B	Filename: #40 Sam Fonzo Drive-00140286A.AGI Drawn By: MSKow

Prepared For:
Holbrook Associated
P.O. Box 401
Rockland, MA 02370

File Name: Z:\Job Files\ - Specification Projects\Holbrook Associated\101064\#40 Sam Fonzo Drive\Working Files\AGI\#40 Sam Fonzo Drive 00140286A.AGI

RAB
LIGHTING
170 Ludlow Avenue, Northville, MI 48867
888.722.1000 • RABWEB.COM

THE CITY OF BEVERLY

Calculation Summary											
Label	CalcType	Units	Avg	Max	Min	Avg/Min	Max/Min	Description	PtSpclr	PtSpctb	Meter Type
BACK LOT	Illuminance	Fc	2.36	5.9	0.2	11.80	29.50	READINGS TAKEN AT 0' 0" AFG	10	10	Horizontal
GROUND	Illuminance	Fc	1.71	6.6	0.0	N.A.	N.A.	READINGS TAKEN AT 0' 0" AFG	10	10	Horizontal
PARKING	Illuminance	Fc	2.57	6.2	0.6	4.28	10.33	READINGS TAKEN AT 0' 0" AFG			

Luminaire Schedule													
Symbol	Qty	Tag	Label	Arrangement	Lum. Lumens	Arr. Lum. Lumens	LLF	Description	Lum. Watts	Arr. Watts	Total Watts	BUG Rating	
	16	A	WPLED52	SINGLE	7122	7122	1.000	WALLPACK	58.7	58.7	939.2	B1-U2-G4	
	1	B2	ALED3T150 X2@180	BACK-BACK	16839	33678	1.000	TYPE III POLE MOUNTED	155.2	310.4	310.4	B1-U0-G3	
	4	B	ALED3T150	SINGLE	16839	16839	1.000	TYPE III POLE MOUNTED	155.2	155.2	620.8	B1-U0-G3	
	6	C	ALED2T150	SINGLE	17834	17834	1.000	TYPE II POLE MOUNTED	153.2	153.2	919.2	B2-U0-G3	

Expanded Luminaire Location Summary						
LumNo	Tag	X	Y	MTG HT	Orient	Tilt
1	A	416.549	373.358	20	277.591	0
2	B	658.879	300.304	25	153.992	0
3	A	476.945	380.398	20	277.591	0
4	A	536.419	389.333	20	277.591	0
5	A	596.814	396.374	20	277.591	0
6	A	394.559	574.188	20	97.655	0
7	A	574.709	598.061	20	97.655	0
8	A	514.455	589.966	20	97.655	0
9	A	454.84	582.086	20	97.655	0
10	C	475.686	259.122	25	201.85	0
11	A	388.832	397.194	20	187.591	0
12	A	380.904	457.472	20	187.591	0
13	A	380.359	522.456	20	187.591	0
14	C	660.86	615.75	25	187.591	0
15	C	325.352	398.967	25	233.03	0
16	B	314.599	573.235	25	170.791	0
17	B	302.148	488.306	25	144.535	0
18	A	376.299	552.582	20	187.591	0
19	B2	547.684	315.372	25	277.456	0
19	B2	547.294	318.346	25	97.456	0
20	B	575.373	207.026	25	107.354	0
21	C	687.031	448.385	25	187.591	0
22	A	622.327	408.914	20	7.591	0
23	A	613.17	469.027	20	7.591	0
24	A	605.342	528.648	20	7.591	0
25	A	597.327	588.914	20	7.591	0
26	C	246.218	671.048	25	7.119	0
27	C	333.775	650.116	25	227.736	0
Total Quantity: 28						

NOTES:

* The light loss factor (LLF) is a product of many variables, only lamp lumen depreciation (LLD) has been applied to the calculated results unless otherwise noted. The LLD is the result (quotient) of mean lumens / initial lumens per lamp manufacturers' specifications.

* Illumination values shown (in footcandles) are the predicted results for planes of calculation either horizontal, vertical or inclined as designated in the calculation summary. Meter orientation is normal to the plane of calculation.

* The calculated results of this lighting simulation represent an anticipated prediction of system performance. Actual measured results may vary from the anticipated performance and are subject to means and methods which are beyond the control of RAB Lighting Inc.

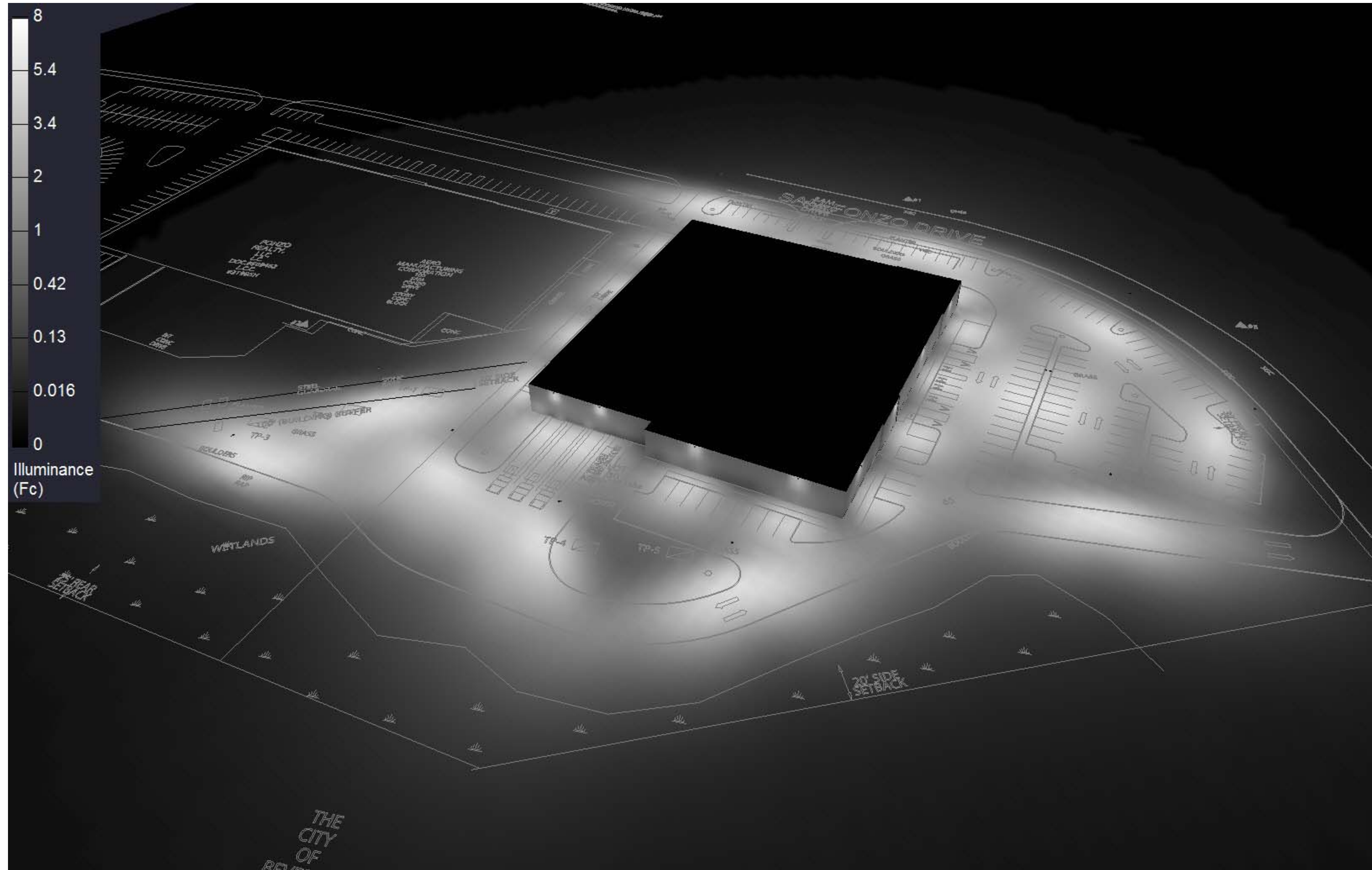
* Mounting height determination is job site specific, our lighting simulations assume a mounting height (insertion point of the luminaire symbol) to be taken at the top of the symbol for ceiling mounted luminaires and at the bottom of the symbol for all other luminaire mounting configurations.

* It is the Owner's responsibility to confirm the suitability of the existing or proposed poles and bases to support the proposed fixtures, based on the weight and EPA of the proposed fixtures and the owner's site soil conditions and wind zone. It is recommended that a professional engineer licensed to practice in the state the site is located be engaged to assist in this determination.

* The landscape material shown hereon is conceptual, and is not intended to be an accurate representation of any particular plant, shrub, bush, or tree, as these materials are living objects, and subject to constant change. The conceptual objects shown are for illustrative purposes only. The actual illumination values measured in the field will vary.

* Photometric model elements such as buildings, rooms, plants, furnishings or any architectural details which impact the dispersion of light must be detailed by the customer documents for inclusion in the RAB lighting design model. RAB is not responsible for any inaccuracies caused by incomplete information on the part of the customer, and reserves the right to use best judgement when translating customer requests into photometric studies.

* RAB Lighting Inc. luminaire and product designs are protected under U.S. and International intellectual property laws. Patents issued or pending apply.



The Lighting Analysis, Layout, Energy Analysis and/or Visual Simulation ("Lighting Design") provided by RAB Lighting Inc. ("RAB") represents an anticipated prediction of system performance. These design parameters and information supplied by others. These design parameters and information provided by others have not been field verified by RAB and therefore actual measured results may vary from the actual field conditions. RAB recommends that design parameters and other information be field verified to reduce variation. RAB neither warrants, either implied or stated with regard to actual measured light levels or energy consumption levels as compared to those illustrated by the Lighting Design. RAB neither warrants, either implied or stated, nor represents the appropriateness, completeness or suitability of the Lighting Design in compliance with any applicable regulatory code requirements. The Lighting Design is issued, in whole or in part, as advisory documents for informational purposes and is not intended for construction nor as being part of a project's construction documentation package.

PROJECT #: 64458
 CASE #: 00142505
 Scale: as noted
 Date: 12/1/2017
 Filename: #40 Sam Fonzo Drive 00140286A.AGI
 Drawn By: MSkow

Job Name:
 #40 Sam Fonzo Drive
 Beverly, MA
 Lighting Layout
 Version B

Prepared For:
 Holbrook Associated
 P.O. Box 401
 Rockland, MA 02370

RAB
 LIGHTING
 170 Ludlow Avenue, Northvale, NJ 07647
 888 722-1000 • RABWEB.COM

Filename: Z:\Job Files\ - Specification Projects\Holbrook Associated\101064\#40 Sam Fonzo Drive\Working Files\AGI\#40 Sam Fonzo Drive 00140286A.AGI



LED 52W Wallpacks. 3 cutoff options. Patent Pending thermal management system. 100,000 hour L70 lifespan. 5 Year Warranty.

Color: Bronze

Weight: 17.6 lbs

Project:	Type:
Prepared By:	Date:

Driver Info		LED Info	
Type:	Constant Current	Watts:	52W
120V:	0.51A	Color Temp:	5000K
208V:	0.33A	Color Accuracy:	73 CRI
240V:	0.29A	L70 Lifespan:	100000
277V:	0.24A	Lumens:	7122
Input Watts:	59W	Efficacy:	121 LPW
Efficiency:	89%		

Technical Specifications

Listings

UL Listing:

Suitable for wet locations.

DLC Listed:

This product is on the Design Lights Consortium (DLC) Qualified Products List and is eligible for rebates from DLC Member Utilities.

DLC Product Code: P0000173W

IESNA LM-79 & IESNA LM-80 Testing:

RAB LED luminaires have been tested by an independent laboratory in accordance with IESNA LM-79 and 80, and have received the Department of Energy "Lighting Facts" label.

LED Characteristics

Lifespan:

100,000-hour LED lifespan based on IES LM-80 results and TM-21 calculations.

LEDs:

Two (2) multi-chip, high-output, long-life LEDs.

Color Consistency:

7-step MacAdam Ellipse binning to achieve consistent fixture-to-fixture color.

Color Stability:

LED color temperature is warranted to shift no more than 200K in CCT over a 5 year period.

Color Uniformity:

RAB's range of CCT (Correlated Color Temperature) follows the guidelines of the American National Standard for Specifications for the Chromaticity of Solid State Lighting (SSL) Products, ANSI C78.377-2015.

Replacement:

Replaces 250W HID.

Electrical

Drivers:

Two drivers, constant current, 720mA, Class 2, 100 - 277V, 50 - 60 Hz, 100 - 277VAC .8 Amps.

THD:

6.5% at 120V, 7.8% at 277V

Power Factor:

99.3% at 120V, 97.2% at 277V

Surge Protection:

6kV

Construction

Ambient Temperature:

Suitable for use in 40°C (104°F) ambient temperatures.

Cold Weather Starting:

Minimum starting temperature is -40°C (-40°F)

Housing:

Precision die cast aluminum housing, lens frame.

Mounting:

Die-cast aluminum wall bracket with (5) 1/2" conduit openings with plugs. Two-piece bracket with tether for ease of installation and wiring.

Arm:

Die-cast aluminum with wiring access plate.

Cutoff:

Standard (15°)

Reflector:

Specular vacuum-metallized polycarbonate

Gaskets:

High temperature silicone.

Lens:

Tempered glass

Finish:

Formulated for high-durability and long lasting color.

Green Technology:

Mercury and UV free. RoHS compliant components. Polyester powder coat finish formulated without the use of VOC or toxic heavy metals.

Other

California Title 24:

See WPLED52/BL for a 2013 California Title 24 compliant product. Any additional component requirements will be listed in the Title 24 section under technical specifications on the product page.

Warranty:

RAB warrants that our LED products will be free from defects in materials and workmanship for a period of five (5) years from the date of delivery to the end user, including coverage of light output, color stability, driver performance and fixture finish.

Technical Specifications (continued)

Other

Patents:

The WPLED design is protected by patents in the U.S. Pat D653,377, Canada Pat. 142252, China Pat. ZL201130356930.8, and Mexico Pat. 36921 and pending patent in TW.

Buy American Act Compliance:

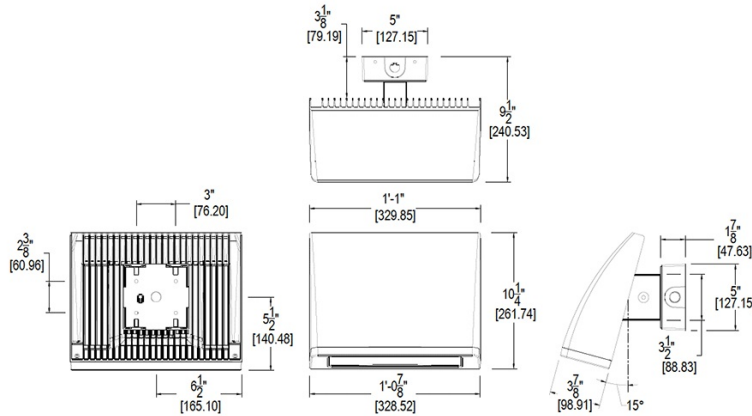
RAB values USA manufacturing! Upon request, RAB may be able to manufacture this product to be compliant with the Buy American Act (BAA). Please contact customer service to request a quote for the product to be made BAA compliant.

Optical

BUG Rating:

B0 U2 G3

Dimensions



Features

- High performance LED light engine
- Maintains 70% of initial lumens at 100,000 hours
- Weatherproof high temperature silicone gaskets
- Superior heat sinking with die cast aluminum housing and external fins
- Replaces 250W MH
- Traditional wallpack look from the front
- 3 cutoff options
- 5-year warranty

Ordering Matrix

Family	Cutoff	Wattage	Color Temp	Finish	Driver Options	Options
WPLED		52				
	Blank = Standard (15°) C = Cutoff (7.5°) FC = Full Cutoff (0°)	80 = 80W 52 = 52W	Blank = 5000K (Cool) N = 4000K (Neutral) Y = 3000K (Warm)	Blank = Bronze W = White	Blank = 120-277V /480 = 480V /BL = Bi-Level /D10 = 0-10V Dimming	Blank = No Option /PCS = 120V Swivel Photocell /PCS2 = 277V Swivel Photocell /PCS4 = 480V Swivel Photocell /LC = Lightcloud®



Specification grade area lights available with IES Type III distribution. For use for roadway, general parking and other area lighting applications where a larger pool of lighting is required. Patent pending thermal management system. 5 Year Warranty.

Color: Bronze

Weight: 30.4 lbs

Project:

Type:

Prepared By:

Date:

Driver Info

Type: Constant Current
 120V: 1.31A
 208V: 0.80A
 240V: 0.69A
 277V: 0.60A
 Input Watts: 155W
 Efficiency: 97%

LED Info

Watts: 150W
 Color Temp: 5000K
 Color Accuracy: 71 CRI
 L70 Lifespan: 100000
 Lumens: 16839
 Efficacy: 108 LPW

Technical Specifications

Listings

UL Listing:

Suitable for wet locations.

DLC Listed:

This product is on the Design Lights Consortium (DLC) Qualified Products List and is eligible for rebates from DLC Member Utilities.

DLC Product Code: P0000175C

IESNA LM-79 & LM-80 Testing:

RAB LED luminaires have been tested by an independent laboratory in accordance with IESNA LM-79 and LM-80, and have been received the Department of Energy "Lighting Facts" label.

Dark Sky Approved:

The International Dark Sky Association has approved this product as a full cutoff, fully shielded luminaire.

LED Characteristics

Lifespan:

100,000-hour LED lifespan based on IES LM-80 results and TM-21 calculations.

LEDs:

Multi-chip, high-output, long-life LEDs

Color Consistency:

7-step MacAdam Ellipse binning to achieve consistent fixture-to-fixture color.

Color Stability:

LED color temperature is warrantied to shift no more than 200K in CCT over a 5 year period.

Color Uniformity:

RAB's range of CCT (Correlated Color Temperature) follows the guidelines of the American National Standard for Specifications for the Chromaticity of Solid State Lighting (SSL) Products, ANSI C78.377-2015.

Replacement:

Replaces 400W Metal Halide.

Construction

IES Classification:

The Type III distribution is ideal for roadway, general parking and other area lighting applications where a larger pool of lighting is required. It is intended to be located near the side of the area, allowing the light to project outward and fill the area.

Effective Projected Area:

EPA = 0.75

Maximum Ambient Temperature:

Suitable for use in 40°C (104°F) ambient temperatures

Cold Weather Starting:

Minimum starting temperature is -40°C (-40°F)

Thermal Management:

Superior thermal management with external "Air-Flow" fins.

Housing:

Die-cast aluminum housing, lens frame and mounting arm.

IP Rating:

Ingress Protection rating of IP66 for dust and water

Mounting:

Universal mounting arm compatible for hole spacing patterns from 1" to 5 1/2" center to center. Round Pole Adaptor plate included as a standard. Easy slide and lock to mount fixture with ease.

Reflector:

Specular vacuum-metallized polycarbonate

Gaskets:

High-temperature silicone gaskets

Finish:

Formulated for high-durability and long lasting color.

Green Technology:

Mercury and UV free. RoHS compliant components. Polyester powder coat finish formulated without the use of VOC or toxic heavy metals.

For use on LEED Buildings:

IDA Dark Sky Approval means that this fixture can be used to achieve LEED Credits for Light Pollution Reduction.

Electrical

Drivers:

Two Drivers, Constant Current, Class 2, 2000mA, 100-277V, 50-60Hz, Power Factor 99%

THD:

6% at 120V, 11.3% at 277V

Surge Protection:

4kV

Technical Specifications (continued)

Other

California Title 24:

See ALED3T150/D10, ALED3T150/BL, ALED3T150/PCS, ALED3T150/PCS2, or ALED3T150/PCT for a 2013 California Title 24 compliant product. Any additional component requirements will be listed in the Title 24 section under technical specifications on the product page.

Warranty:

RAB warrants that our LED products will be free from defects in materials and workmanship for a period of five (5) years from the date of delivery to the end user, including coverage of light output, color stability, driver performance and fixture finish.

Buy American Act Compliance:

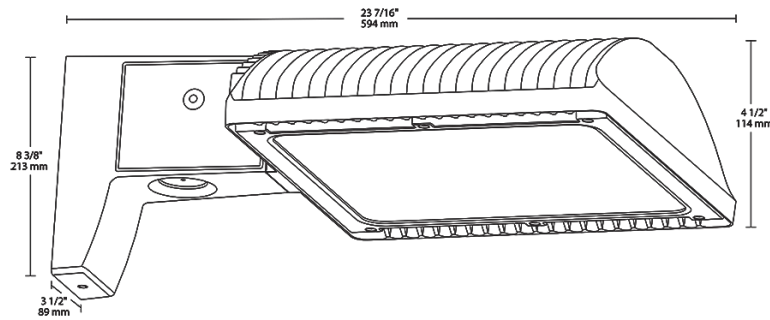
RAB values USA manufacturing! Upon request, RAB may be able to manufacture this product to be compliant with the Buy American Act (BAA). Please contact customer service to request a quote for the product to be made BAA compliant.

Optical

BUG Rating:

B1 U0 G2

Dimensions



Features

- 66% energy cost savings vs. HID
- 100,000-hour LED lifespan
- Type III distribution
- 5-year warranty

Ordering Matrix

Family	Optics	Wattage	Mounting	Color Temp	Finish	Driver Options	Photocell Options
ALED	3T	150					
	2T = Type II	50 = 50W 78 = 78W	Blank = Pole mount SF = Slipfitter	Blank = 5000K (Cool) N = 4000K (Neutral) Y = 3000K (Warm)	Blank = Bronze RG = Roadway Gray W = White	Blank = 120-277V /480 = 480V (not available for 150W) /BL = Bi-Level /D10 = 0-10V Dimming	Blank = No Option /PC = 120V Button Photocell (Pole mount models only) /PC2 = 277V Button Photocell (Pole mount models only) /PCT = 120-277V Twistlock Photocell (Pole mount models only) /PCT4 = 480V Twistlock Photocell (Pole mount models only) /PCS = 120V Swivel Photocell /PCS2 = 277V Swivel Photocell /PCS4 = 480V Swivel Photocell /WS2 = Multi-Level Motion Sensor 20 ft. (Only available 0-10V dimming models) /WS4 = Multi-Level Motion Sensor 40 ft. (Only available 0-10V dimming models)



Specification grade area lights available with IES Type II distribution. For use in parking lots, roadways, pathways and general area lighting. Patent pending thermal management system. 5 Year Warranty.

Color: Bronze

Weight: 32.0 lbs

Project:

Type:

Prepared By:

Date:

Driver Info

Type: Constant Current
 120V: 1.31A
 208V: 0.80A
 240V: 0.69A
 277V: 0.60A
 Input Watts: 153W
 Efficiency: 98%

LED Info

Watts: 150W
 Color Temp: 5000K
 Color Accuracy: 71 CRI
 L70 Lifespan: 100000
 Lumens: 17834
 Efficacy: 116 LPW

Technical Specifications

Listings

UL Listing:

Suitable for wet locations.

DLC Listed:

This product is on the Design Lights Consortium (DLC) Qualified Products List and is eligible for rebates from DLC Member Utilities.

DLC Product Code: _P00001759

IESNA LM-79 & LM-80 Testing:

RAB LED luminaires have been tested by an independent laboratory in accordance with IESNA LM-79 and LM-80, and have been received the Department of Energy "Lighting Facts" label.

Dark Sky Approved:

The International Dark Sky Association has approved this product as a full cutoff, fully shielded luminaire.

LED Characteristics

Lifespan:

100,000-hour LED lifespan based on IES LM-80 results and TM-21 calculations.

LEDs:

Multi-chip, high-output, long-life LEDs

Color Consistency:

7-step MacAdam Ellipse binning to achieve consistent fixture-to-fixture color.

Color Stability:

LED color temperature is warrantied to shift no more than 200K in CCT over a 5 year period.

Color Uniformity:

RAB's range of CCT (Correlated Color Temperature) follows the guidelines of the American National Standard for Specifications for the Chromaticity of Solid State Lighting (SSL) Products, ANSI C78.377-2015.

Replacement:

Replaces 400W Metal Halide.

Construction

IES Classification:

The Type II distribution is ideal for wide walkways, on ramps and entrance roadways, bike paths and other long and narrow lighting applications. This type is meant for lighting larger areas and usually is located near the roadside. This type of lighting is commonly found on smaller side streets or jogging paths.

Effective Projected Area:

EPA = 0.75

Maximum Ambient Temperature:

Suitable for use in 40°C (104°F) ambient temperatures

Cold Weather Starting:

Minimum starting temperature is -40°C (-40°F)

Thermal Management:

Superior thermal management with external "Air-Flow" fins.

Housing:

Die-cast aluminum housing, lens frame and mounting arm.

IP Rating:

Ingress Protection rating of IP66 for dust and water

Mounting:

Universal mounting arm compatible for hole spacing patterns from 1" to 5 1/2" center to center. Round Pole Adaptor plate included as a standard. Easy slide and lock to mount fixture with ease.

Reflector:

Specular vacuum-metallized polycarbonate

Gaskets:

High-temperature silicone gaskets

Finish:

Formulated for high-durability and long lasting color.

Green Technology:

Mercury and UV free. RoHS compliant components. Polyester powder coat finish formulated without the use of VOC or toxic heavy metals.

For use on LEED Buildings:

IDA Dark Sky Approval means that this fixture can be used to achieve LEED Credits for Light Pollution Reduction.

Electrical

Drivers:

Two Drivers, Constant Current, Class 2, 2000mA, 100-277V, 50-60Hz, Power Factor 99%

THD:

6.6% at 120V, 12.1% at 277V

Surge Protection:

4kV

Technical Specifications (continued)

Other

California Title 24:

See ALED2T150/D10, ALED2T150/BL, ALED2T150/PCS, ALED2T150/PCS2, or ALED2T150/PCT for a 2013 California Title 24 compliant product. Any additional component requirements will be listed in the Title 24 section under technical specifications on the product page.

Warranty:

RAB warrants that our LED products will be free from defects in materials and workmanship for a period of five (5) years from the date of delivery to the end user, including coverage of light output, color stability, driver performance and fixture finish.

Buy American Act Compliance:

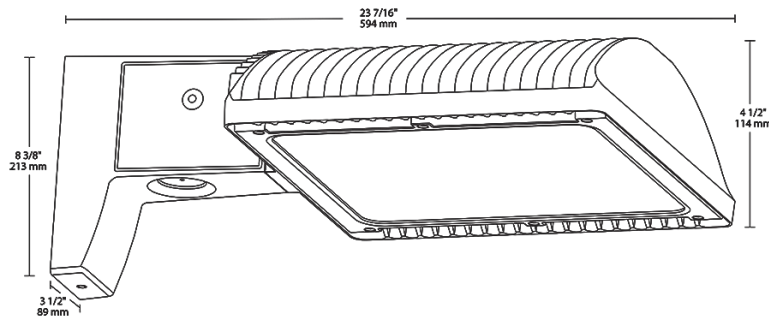
RAB values USA manufacturing! Upon request, RAB may be able to manufacture this product to be compliant with the Buy American Act (BAA). Please contact customer service to request a quote for the product to be made BAA compliant.

Optical

BUG Rating:

B2 U0 G2

Dimensions

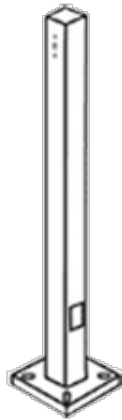


Features

- 66% energy cost savings vs. HID
- 100,000-hour LED lifespan
- Type II distribution
- 5-year warranty

Ordering Matrix

Family	Optics	Wattage	Mounting	Color Temp	Finish	Driver Options	Photocell Options
ALED	2T	150					
	2T = Type II	50 = 50W 78 = 78W	Blank = Pole mount	Blank = 5000K (Cool)	Blank = Bronze	Blank = 120-277V /480 = 480V (not available for 150W)	Blank = No Option /PC = 120V Button Photocell (Pole mount models only) /PC2 = 277V Button Photocell (Pole mount models only) /PCT = 120-277V Twistlock Photocell (Pole mount models only) /PCT4 = 480V Twistlock Photocell (Pole mount models only) /PCS = 120V Swivel Photocell /PCS2 = 277V Swivel Photocell /PCS4 = 480V Swivel Photocell /WS2 = Multi-Level Motion Sensor 20 ft. (Only available 0-10V dimming models) /WS4 = Multi-Level Motion Sensor 40 ft. (Only available 0-10V dimming models)
	3T = Type III	105 = 105W	SF = Slipfitter	N = 4000K (Neutral)	RG = Roadway Gray	/BL = Bi-Level	
	4T = Type IV	125 = 125W 150 = 150W		Y = 3000K (Warm)	W = White	/D10 = 0-10V Dimming	



Square steel poles drilled for 2 Area Lights at 180°. Designed for ground mounting. Poles are stocked nationwide for quick shipment. Protective packaging ensures poles arrive at the job site good as new.

Color: Bronze

Weight: 168.0 lbs

Project:	Type:
Prepared By:	Date:

Lamp Info		Ballast Info	
Type:	N/A	Type:	N/A
Watts:	0W	120V:	N/A
Shape/Size:	N/A	208V:	N/A
Base:	N/A	240V:	N/A
ANSI:	N/A	277V:	N/A
Hours:	N/A	Input Watts:	0W
Lamp Lumens:	N/A		
Efficacy:	N/A		

Technical Specifications

Listings

CSA Listed:

Suitable for wet locations.

Construction

Shaft:

46,000 p.s.i. minimum yield.

Hand Holes:

Reinforced with grounding lug and removable cover.

Base Plates:

36,000 p.s.i. minimum yield.

Shipping Protection:

All poles are shipped in individual corrugated cartons to prevent finish damage.

Color:

Bronze powder coating.

Height:

25 FT.

Weight:

168 lbs.

Gauge:

11

Wall Thickness:

1/8".

Shaft Size:

4".

Hand Hole Dimensions:

3" x 5".

Bolt Circle:

8 1/2".

Base Dimension:

8".

Anchor Bolt:

Galvanized anchor bolts and galvanized hardware and anchor bolt template. All bolts have a 3" hook.

Anchor Bolt Templates:

WARNING Template must be printed on 11" x 17" sheet for actual size. CHECK SCALE BEFORE USING. Templates shipped with anchor bolts and available .

Pre-Shipped Anchor Bolts:

Bolts can be pre-shipped upon request for additional freight charge.

MaxEPA's/Max Weights:

70MPH 4.5 ft_/135 lb
 80MPH 2.3 ft_/80 lb
 90MPH 0.8 ft_/35 lb.

Other

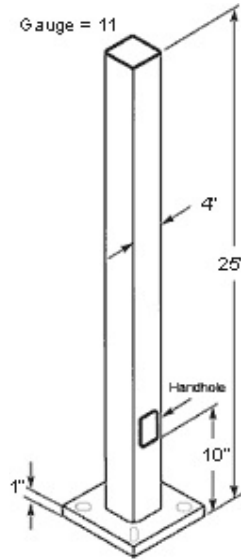
Terms of Sale:

Pole Terms of Sale is available .

Buy American Act Compliance:

RAB values USA manufacturing! Upon request, RAB may be able to manufacture this product to be compliant with the Buy American Act (BAA). Please contact customer service to request a quote for the product to be made BAA compliant.

Dimensions



Features

- Designed for ground mounting
- Heavy duty TGIC polyester coating
- Reinforced hand holes with grounding lug and removable cover for easy wiring access
- Anchor Bolt Kit includes pole cap and base cover (sold separately)
- Custom manufactured for each application